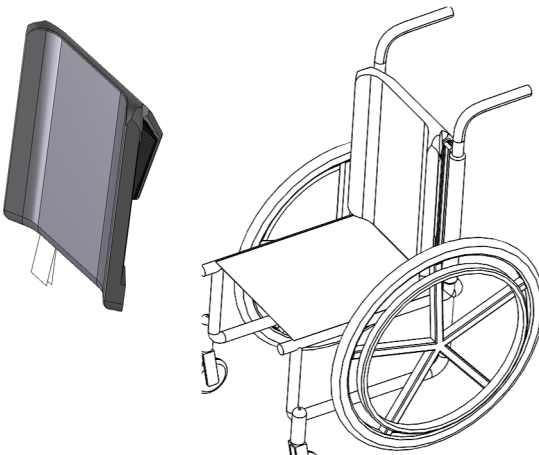




Easy Clip Back 50017, 50018, 50019



2. **en** Provide posterior support for the torso while patient is in a seated position in a wheelchair to promote good posture and to reduce fatigue.



*Document 08672
Revision D 7-2021*

Easy Clip Back



Caution: Read Instructions before operating device.



Caution: Device should be installed by a trained wheelchair technician.

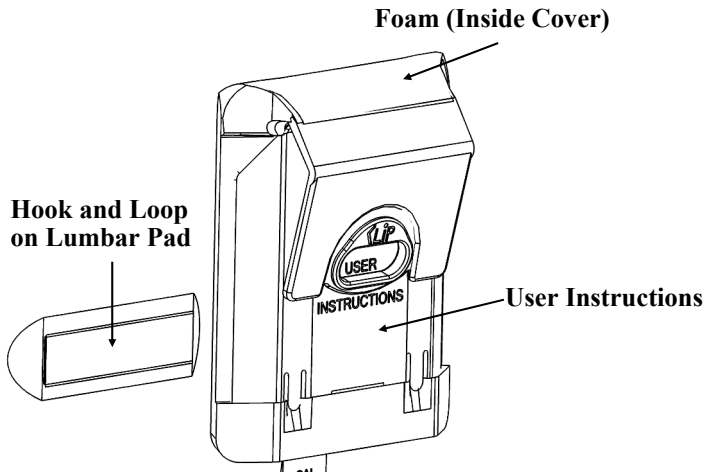
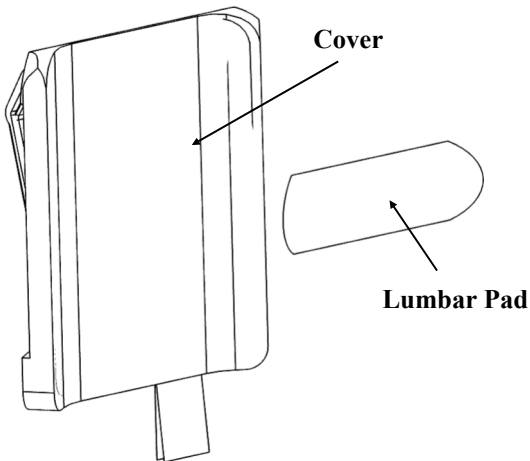


Caution: Use caution when installing, removing or adjusting device to avoid pinching or trapping fingers.



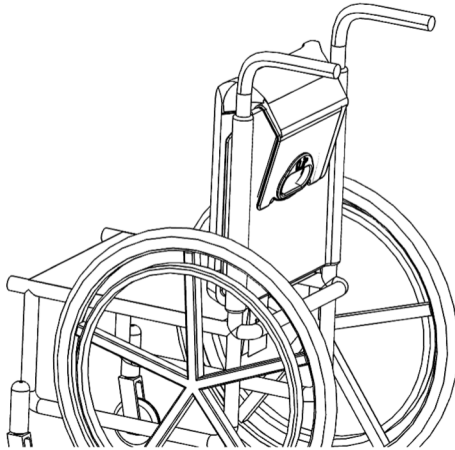
Caution: Device should be fitted by a trained Assistive Technology Professional

Product Identification

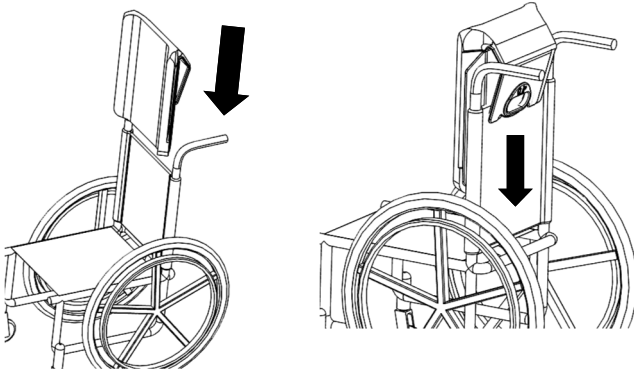


To Install:

Image below shows installed device.

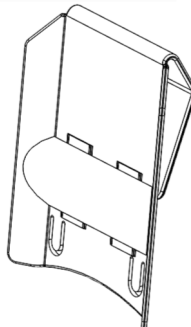


1: Slide back down over wheelchair.

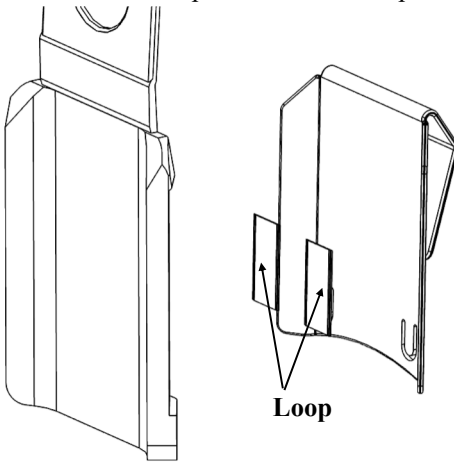


To Install Lumbar Pad:

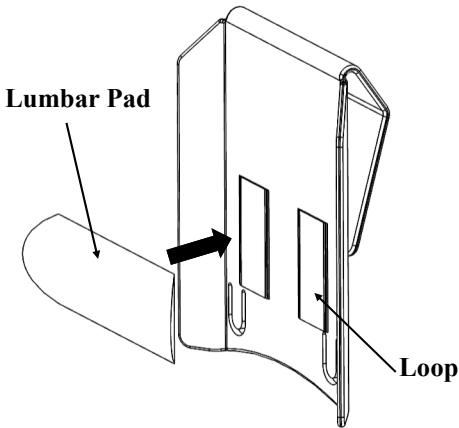
Image below shows installed device.



1: Remove Cover. Peel Paper and Attach Loop to Back

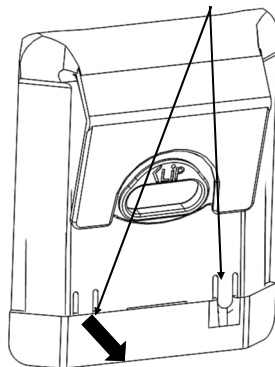


2: Attach Lumbar Pad to Loop at desired Height

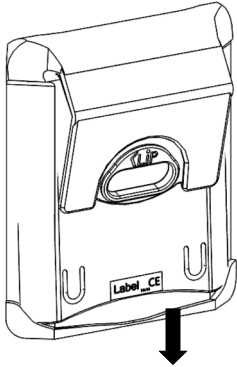


To Remove Cover:

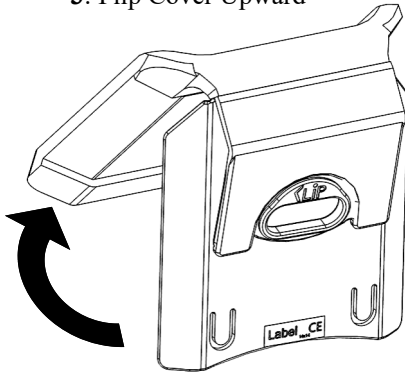
1: Remove Cover From Tabs



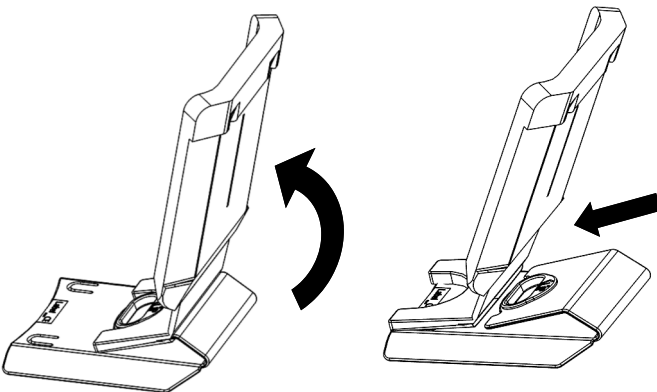
2: Pull Cover Down Off Base



3: Flip Cover Upward



4: Continue to flip cover over and slide off



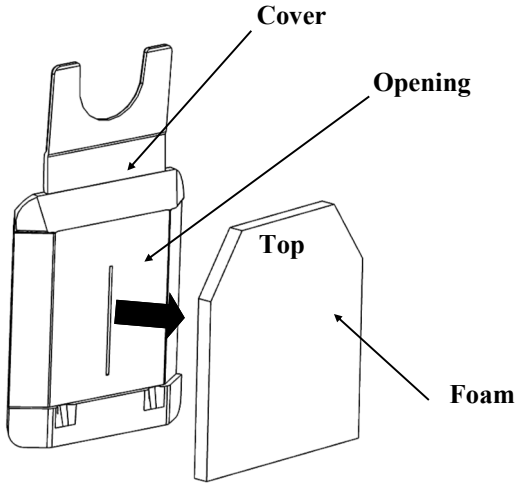
To Install Cover:

1: Reverse Above Procedure.

Care and Cleaning

1: Remove Cover.

2: Remove Foam Through Opening in Cover.



3: Machine Wash in Warm (40° C) Water with Mild Detergent.
Tumble Dry Low



4: Reinstall Foam in Opening

Notices

If patient experiences any skin irritation or severe discomfort contact your healthcare professional or medical technician.

If any serious incident or injury occurs please contact Therafin Corp and the competent authority for your country

Warranty

Any product found to be defective due to the material or workmanship within one year will be replaced under our return policy following product evaluation by Therafin Corporation. This replacement warranty does not include misuse or neglect of the product.

*Document 08672
Revision D 7-2021*



 Therafin Corporation
9450 W Laraway Road
Frankfort, IL 60432 USA
800-843-7234
www.therafin.com



MedEnvoy Global B.V.
Prinses Margrietplantsoen 33- Suite 123
2595 AM The Hague
The Netherlands

Document 08672
Revision D 7-2021